

Pressure regulator, Series AS1-RGS

- G 1/4
- Air supply left
- Qn = 1000 l/min
- Standard pressure regulator
- Activation Manual



Parts	Pressure regulator
Mounting orientation	Any
Working pressure min./max.	See table below
Ambient temperature min./max.	-10 ... 50 °C
Medium temperature min./max.	-10 ... 50 °C
Medium	Compressed air Neutral gases
Regulator type	Diaphragm-type pressure regulator Can be assembled into blocks
Regulator function	with relieving air exhaust
Adjustment range min./max.	See table below
Activation	Manual
Weight	See table below

Technical data

Part No.	Port	Flow Qn	Working pressure min./max.	Adjustment range min./max.
R412014628	G 1/4	1000 l/min	0,5 ... 12 bar	0,5 ... 8 bar
R412014629	G 1/4	1000 l/min	0,5 ... 12 bar	0,5 ... 10 bar
R412014633	G 1/4	1000 l/min	0,2 ... 12 bar	0,2 ... 4 bar
R412014634	G 1/4	1000 l/min	0,5 ... 12 bar	0,5 ... 8 bar
R412014635	G 1/4	1000 l/min	0,5 ... 12 bar	0,5 ... 10 bar

Part No.	Max. pressure gauge Ø in blocked state	Pressure gauge	Weight	Fig.
R412014627	40 mm	With integrated pressure gauge	0,209 kg	Fig. 1
R412014628	40 mm	With integrated pressure gauge	0,209 kg	Fig. 1
R412014629	40 mm	With integrated pressure gauge	0,209 kg	Fig. 1
R412014633	40 mm	-	0,206 kg	Fig. 2
R412014634	40 mm	-	0,206 kg	Fig. 2
R412014635	40 mm	-	0,206 kg	Fig. 2

Part No.	
R412014627	-
R412014628	-
R412014629	-
R412014633	1)
R412014634	1)
R412014635	1)

Nominal flow Qn with secondary pressure p2 = 6 bar at Δp = 1 bar

1) Order pressure gauge separately

Technical information

The pressure dew point must be at least 15 °C under ambient and medium temperature and may not exceed 3 °C .

Relieving exhaust (≤ 0.3 bar over set pressure).

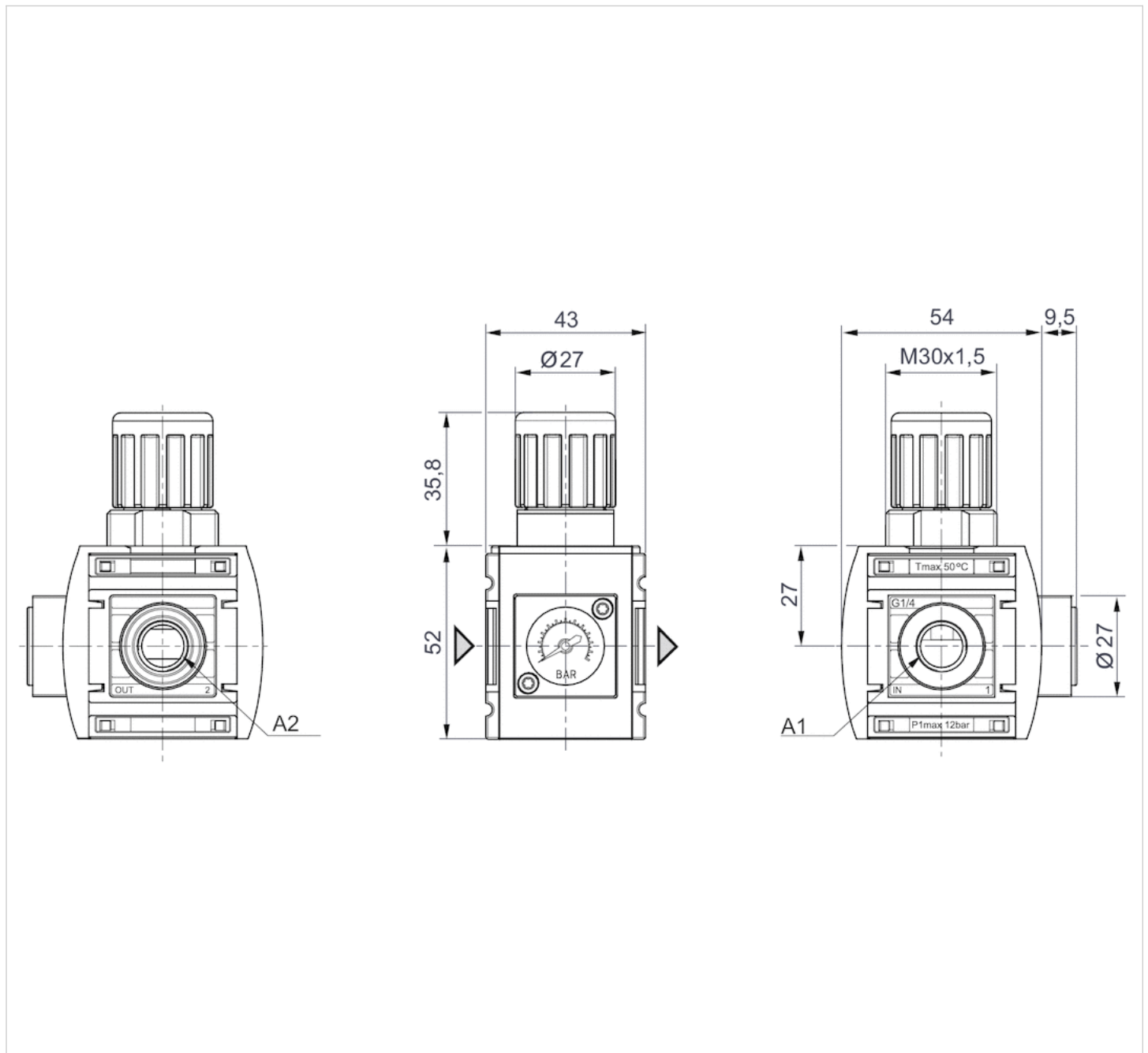
With rear exhaust (> 3 bar).

Technical information

Material	
Housing	Polyamide
Front plate	Acrylonitrile butadiene styrene
Seals	Acrylonitrile butadiene rubber

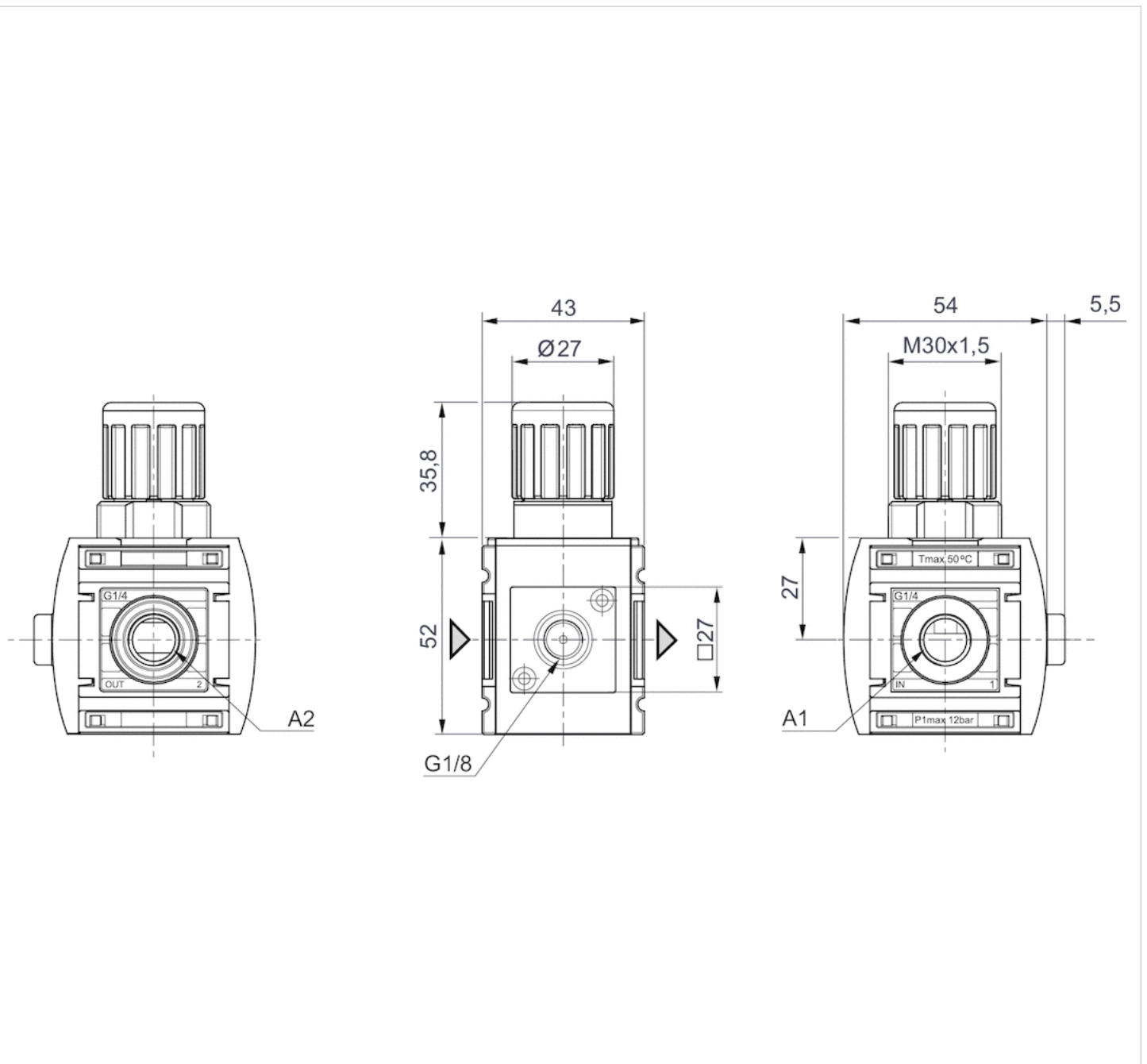
Dimensions

Dimensions, Fig. 1



A1 = input
A2 = output

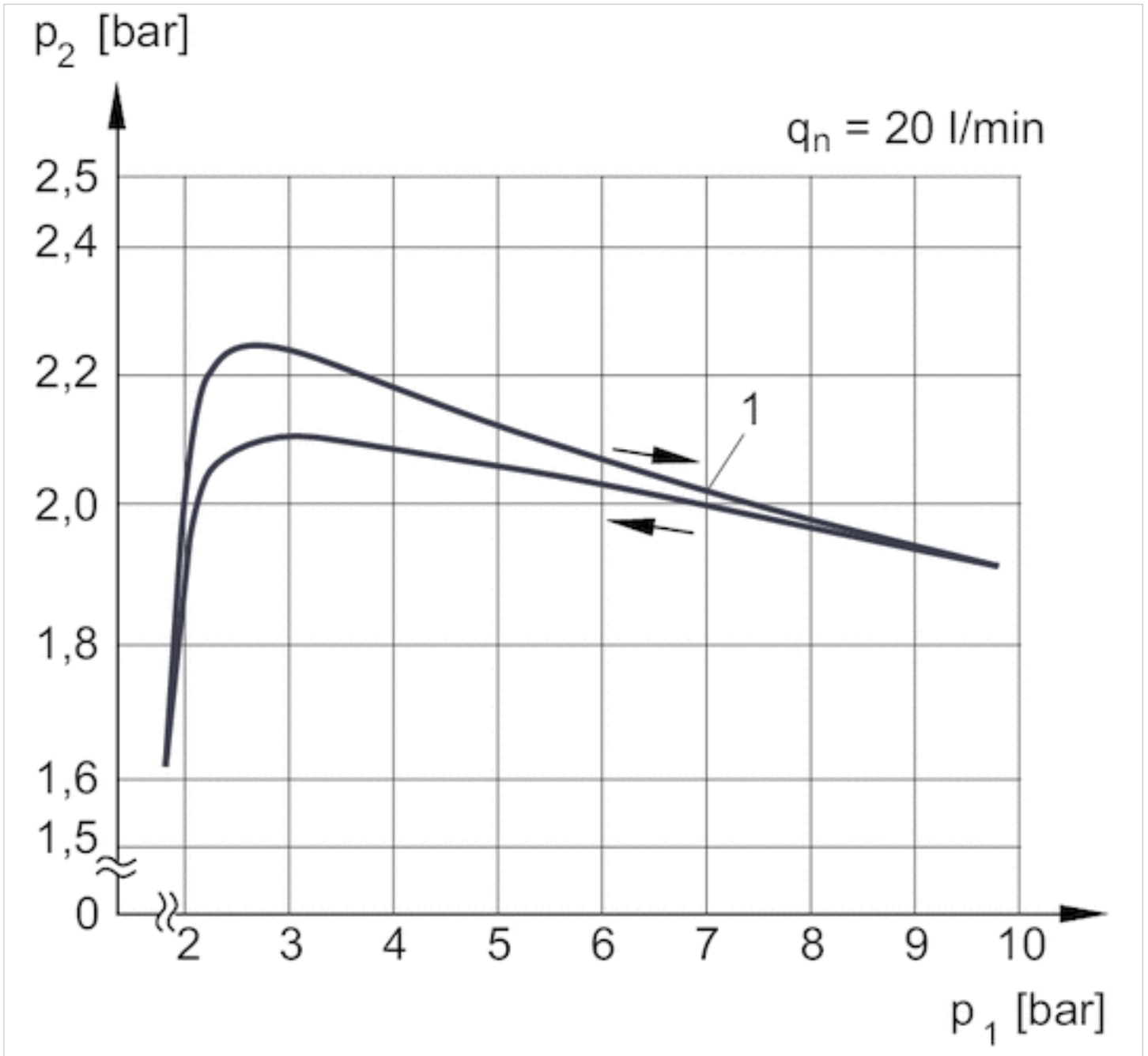
Dimensions, Fig. 2



A1 = input
A2 = output

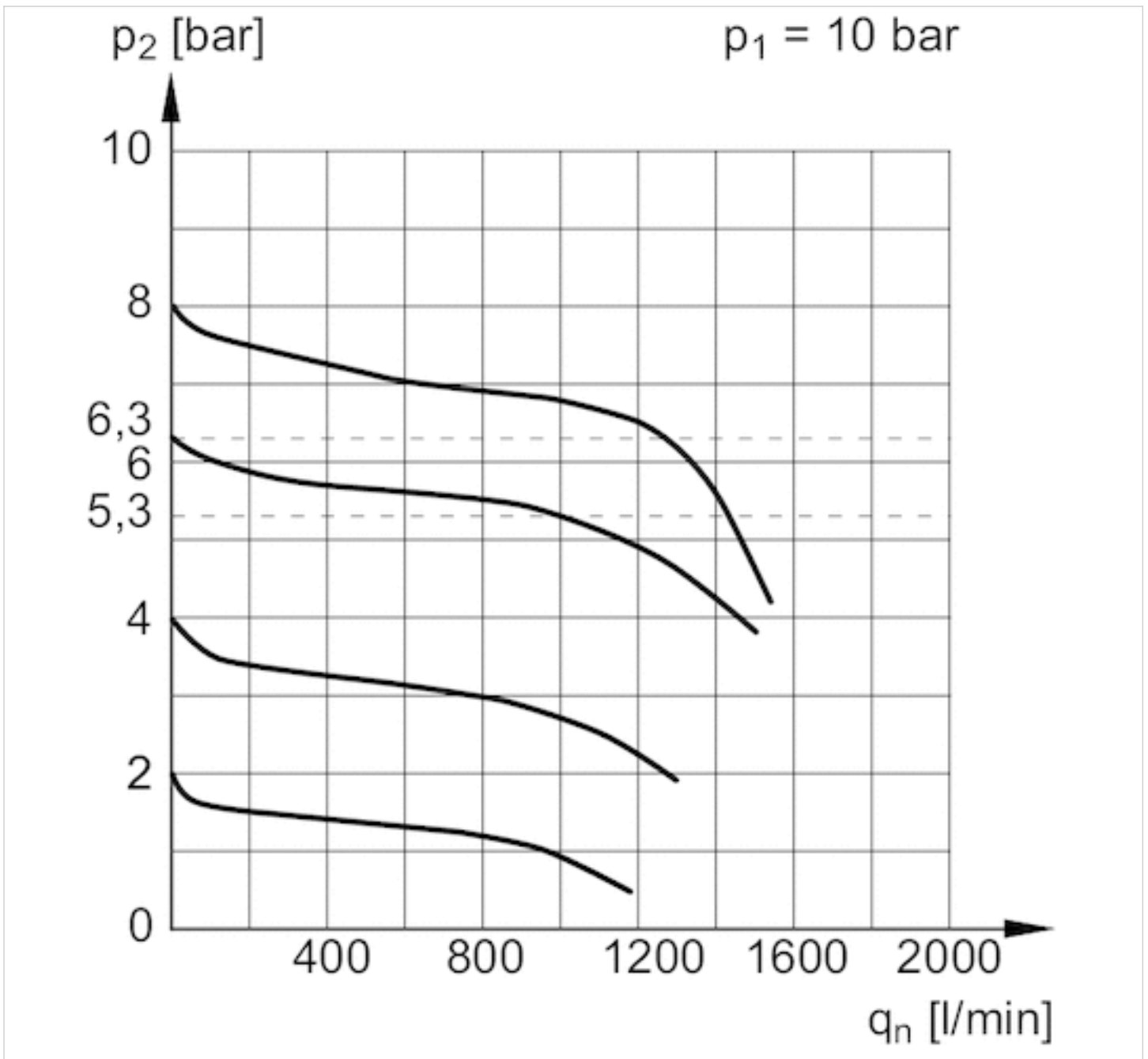
Diagrams

Pressure characteristics curve



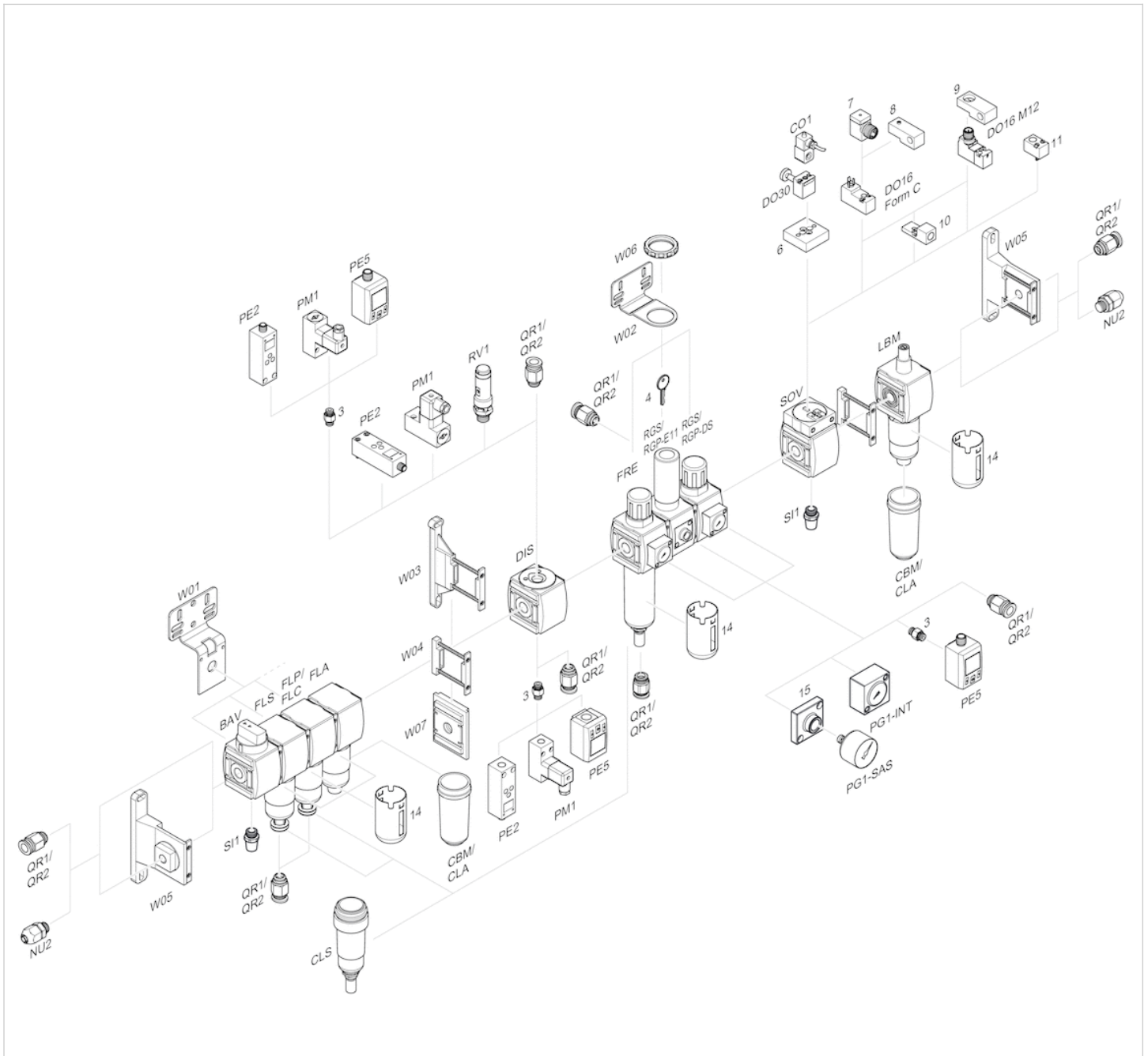
p_1 = working pressure
 p_2 = secondary pressure
 q_n = nominal flow
 1) = Starting point

Flow rate characteristic



p_1 = working pressure
 p_2 = secondary pressure
 q_n = nominal flow

Accessories overview



- 3 = Double nipple
- 4 = Key for E11 locking
- 6 = Transition plate DO30
- 7 = Adapter, Series CON-VP
- 8 = Mounting aid DO16, form C
- 9 = Mounting aid DO16, M12
- 10 = Adapter for external pilot air
- 11 = Adapter pneumatic operation
- 14 = Protective guard
- 15 = Transition plate for assembling a pressure gauge with connection thread G 1/8

Efficient pneumatic solutions, our program: cylinders and drives, valves and valve systems, air supply management



Visit us: [Emerson.com/Aventics](https://www.emerson.com/Aventics)

Your local contact: [Emerson.com/contactus](https://www.emerson.com/contactus)



[Emerson.com](https://www.emerson.com)



[Facebook.com/EmersonAutomationSolutions](https://www.facebook.com/EmersonAutomationSolutions)



[LinkedIn.com/company/Emerson-Automation-Solutions](https://www.linkedin.com/company/Emerson-Automation-Solutions)



[Twitter.com/EMR_Automation](https://twitter.com/EMR_Automation)

An example configuration is depicted on the title page. The delivered product may thus vary from that in the illustration. Subject to change. This Document, as well as the data, specifications and other information set forth in it, are the exclusive property of AVENTICS GmbH. It may not be reproduced or given to third parties without its consent. Only use the AVENTICS products shown in industrial applications. Read the product documentation completely and carefully before using the product. Observe the applicable regulations and laws of the respective country. When integrating the product into applications, note the system manufacturer's specifications for safe use of the product. The data specified only serve to describe the product. No statements concerning a certain condition or suitability for a certain application can be derived from our information. The information given does not release the user from the obligation of own judgement and verification. It must be remembered that the products are subject to a natural process of wear and aging.

The Emerson logo is a trademark and service mark of Emerson Electric Co. Brand logotype are registered trademarks of one of the Emerson family of companies. All other marks are the property of their respective owners. © 2020 Emerson Electric Co. All rights reserved.
2020-12



CONSIDER IT SOLVED™